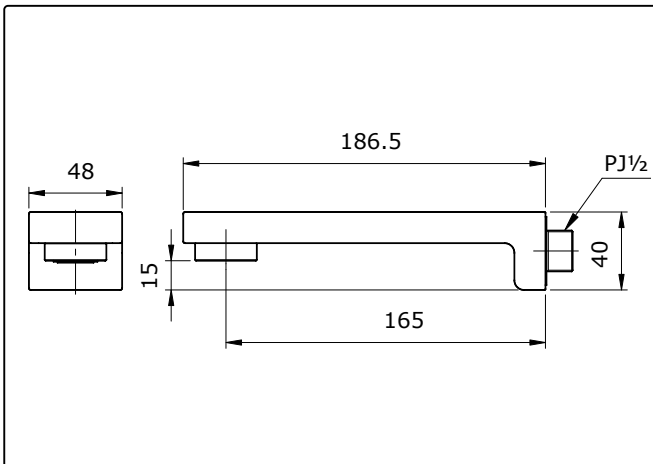


TOTO

"MONO" BATH SPOUT (PJ 1/2") TX441SM

SPECIFICATIONS



OPERATING CONDITIONS

1. Water supply pressure : 0.05 ~ 0.75 MPa.
2. Ensure that water supply is clean (No Sand, Dirt, Etc.).

MAINTENANCE

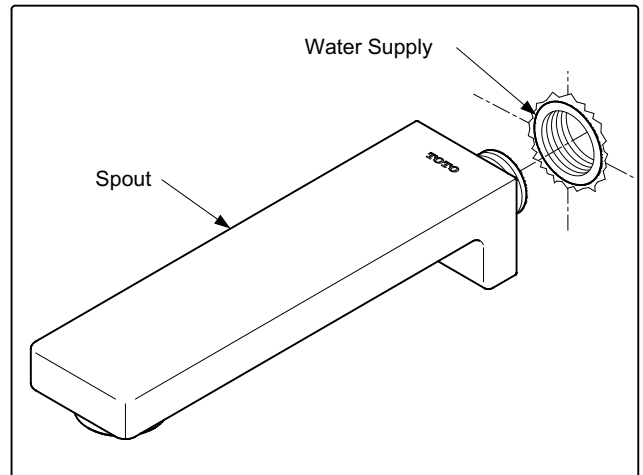
Always wipe chrome plated area with dry soft cloth, and sometimes wipe it with cloth soaked in mild soap.

ATTENTION

Never use cleaning materials or appliances with an abrasive effect.

- Detergents with hydrochloric acid content or alkali.
- Thinner, fuel, etc.
- Detergents containing abrasive such as polishing powder.
- Nylon brush, floor brush, micro fiber cloths, etc.

INSTALLATION

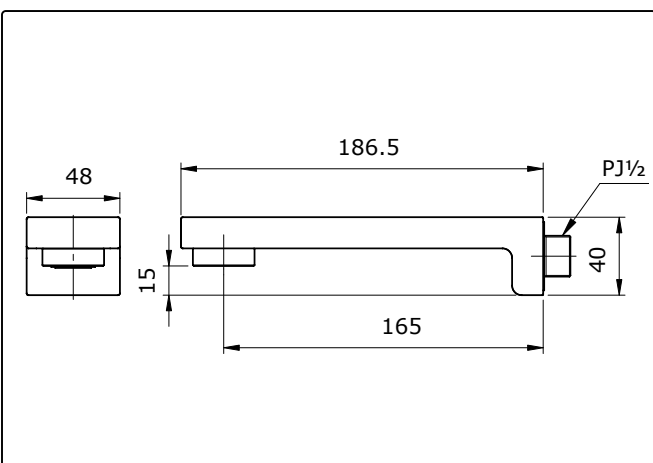


S060011

TOTO

"MONO" BATH SPOUT (PJ 1/2") TX441SM

SPECIFICATIONS



OPERATING CONDITIONS

1. Water supply pressure : 0.05 ~ 0.75 MPa.
2. Ensure that water supply is clean (No Sand, Dirt, Etc.).

MAINTENANCE

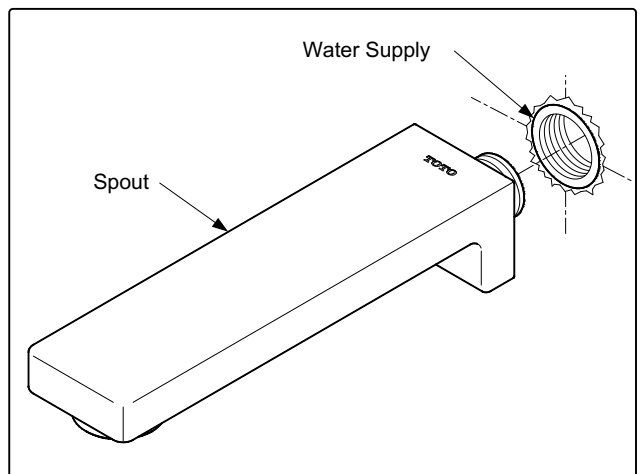
Always wipe chrome plated area with dry soft cloth, and sometimes wipe it with cloth soaked in mild soap.

ATTENTION

Never use cleaning materials or appliances with an abrasive effect.

- Detergents with hydrochloric acid content or alkali.
- Thinner, fuel, etc.
- Detergents containing abrasive such as polishing powder.
- Nylon brush, floor brush, micro fiber cloths, etc.

INSTALLATION



S060011