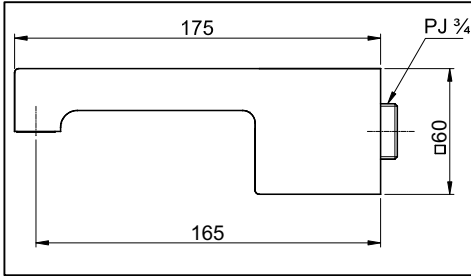


TOTO**"ICON" BATH SPOUT (PJ 3/4") TX441SI****SPECIFICATIONS****OPERATING CONDITIONS**

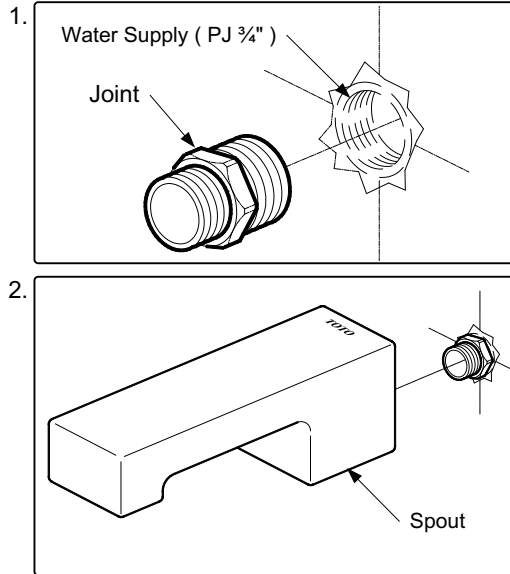
1. Water supply pressure : 0.05 ~ 0.75 MPa.
2. Ensure that water supply is clean (No Sand, Dirt, Etc.)

ATTENTION

Use of abrasive cleaning material such as; detergents containing hydrochloric acids, thinner, polishing powder, and nylon brush is not recommended

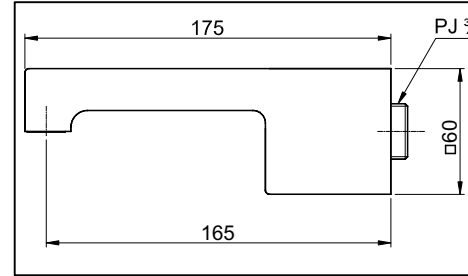
MAINTENANCE

Always wipe chrome plated area with dry soft cloth, and sometimes wipe it with cloth soaked in mild soap.

INSTALLATION

S06678R

R2

TOTO**"ICON" BATH SPOUT (PJ 3/4") TX441SI****SPECIFICATIONS****OPERATING CONDITIONS**

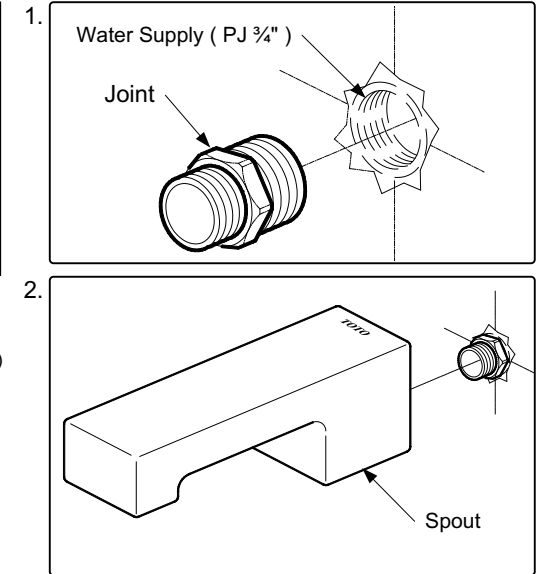
1. Water supply pressure : 0.05 ~ 0.75 MPa.
2. Ensure that water supply is clean (No Sand, Dirt, Etc.)

ATTENTION

Use of abrasive cleaning material such as; detergents containing hydrochloric acids, thinner, polishing powder, and nylon brush is not recommended

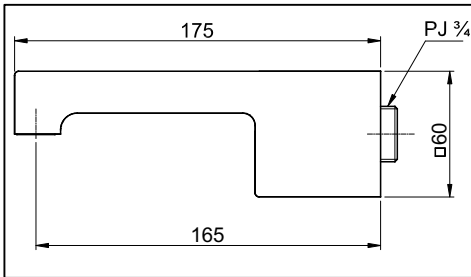
MAINTENANCE

Always wipe chrome plated area with dry soft cloth, and sometimes wipe it with cloth soaked in mild soap.

INSTALLATION

S06678R

R2

TOTO**"ICON" BATH SPOUT (PJ 3/4") TX441SI****SPECIFICATIONS****OPERATING CONDITIONS**

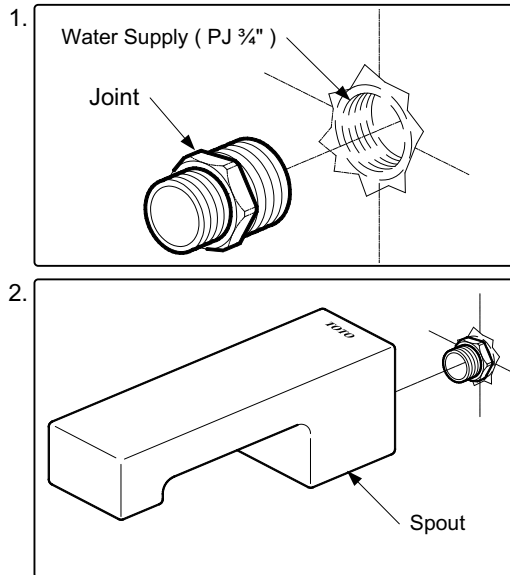
1. Water supply pressure : 0.05 ~ 0.75 MPa.
2. Ensure that water supply is clean (No Sand, Dirt, Etc.)

ATTENTION

Use of abrasive cleaning material such as; detergents containing hydrochloric acids, thinner, polishing powder, and nylon brush is not recommended

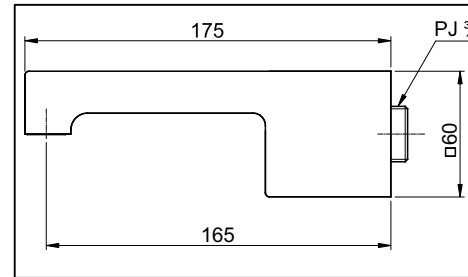
MAINTENANCE

Always wipe chrome plated area with dry soft cloth, and sometimes wipe it with cloth soaked in mild soap.

INSTALLATION

S06678D

D2

TOTO**"ICON" BATH SPOUT (PJ 3/4") TX441SI****SPECIFICATIONS****OPERATING CONDITIONS**

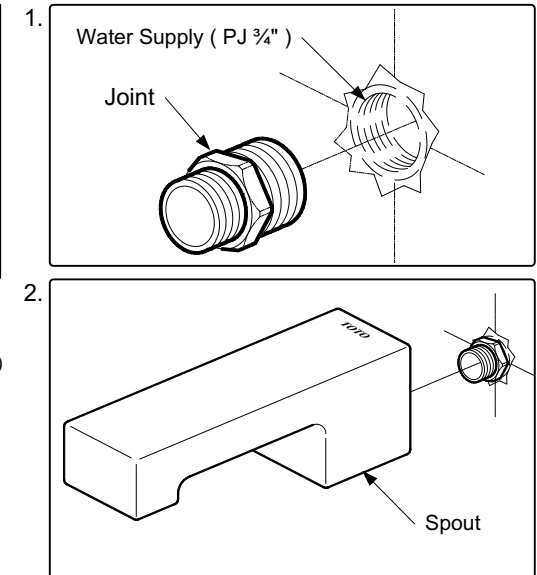
1. Water supply pressure : 0.05 ~ 0.75 MPa.
2. Ensure that water supply is clean (No Sand, Dirt, Etc.)

ATTENTION

Use of abrasive cleaning material such as; detergents containing hydrochloric acids, thinner, polishing powder, and nylon brush is not recommended

MAINTENANCE

Always wipe chrome plated area with dry soft cloth, and sometimes wipe it with cloth soaked in mild soap.

INSTALLATION

S06678D

D2