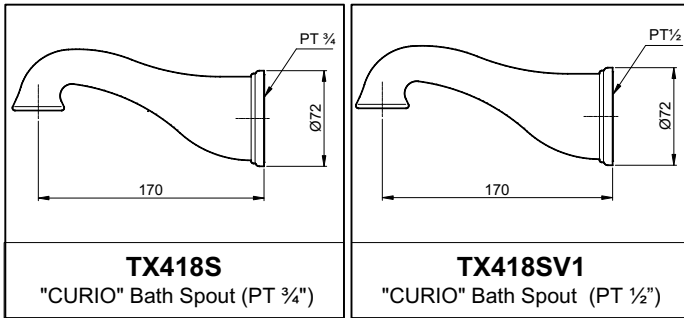


TOTO

" CURIO" BATH SPOUT TX418S

SPECIFICATIONS



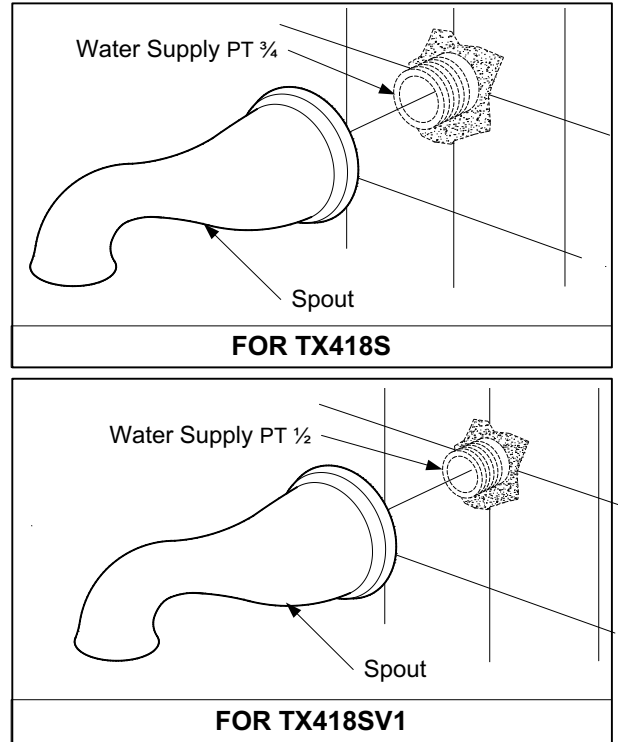
OPERATING CONDITIONS

1. Water supply pressure : 0.05 ~ 0.75 MPa.
2. Ensure that water supply is clean (No Sand, Dirt, Etc.).

MAINTENANCE

1. Always wipe chrome plated area with dry soft cloth, and sometimes wipe it with cloth soaked in mild soap.
2. Never use scrub brush or detergents containing abrasives such as cleanser or polishing powder.

INSTALLATION

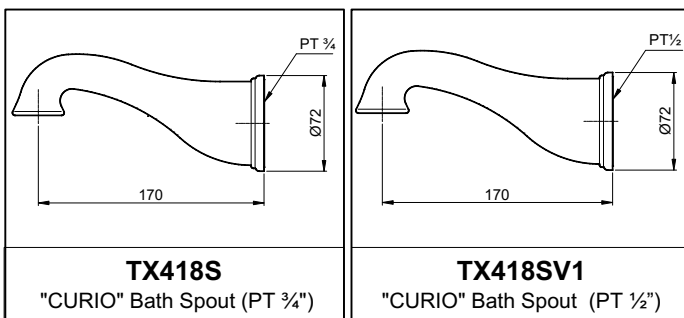


S06054S

TOTO

" CURIO" BATH SPOUT TX418S

SPECIFICATIONS



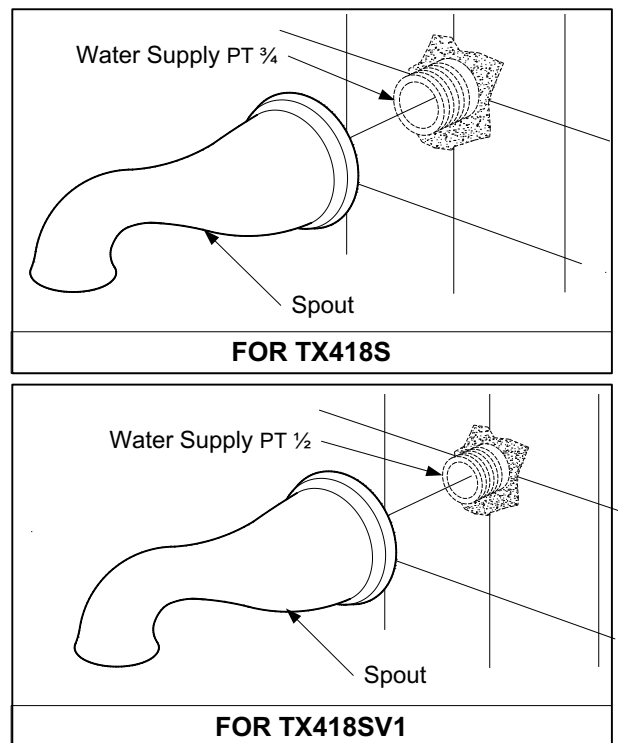
OPERATING CONDITIONS

1. Water supply pressure : 0.05 ~ 0.75 MPa.
2. Ensure that water supply is clean (No Sand, Dirt, Etc.).

MAINTENANCE

1. Always wipe chrome plated area with dry soft cloth, and sometimes wipe it with cloth soaked in mild soap.
2. Never use scrub brush or detergents containing abrasives such as cleanser or polishing powder.

INSTALLATION



S06054S